



ARISTA power



WINDTAMER

"Bringing wind power down to earth."

8.0^{GT}



MOST EFFICIENT TECHNOLOGY

Patented WindTamer technology produces more than double the power of traditional wind turbines for a faster return on investment.

WindTamer turbines use a patented diffuser system that creates two vacuums, which pull the wind through the blades. By using both the "push" and "pull" of the wind, the rotors rotate faster and create more power. The WindTamer turbines use a higher number of shorter, lighter blades, enabling them to operate in winds ranging from low to very high. With few moving parts and protected blades, the turbines are safe, reliable and offer an industry-leading warranty.

PRACTICAL FOR MORE SETTINGS

The turbines are effective in a wider range of winds and heights, enabling them to be used in places such as rooftops and residential neighborhoods.

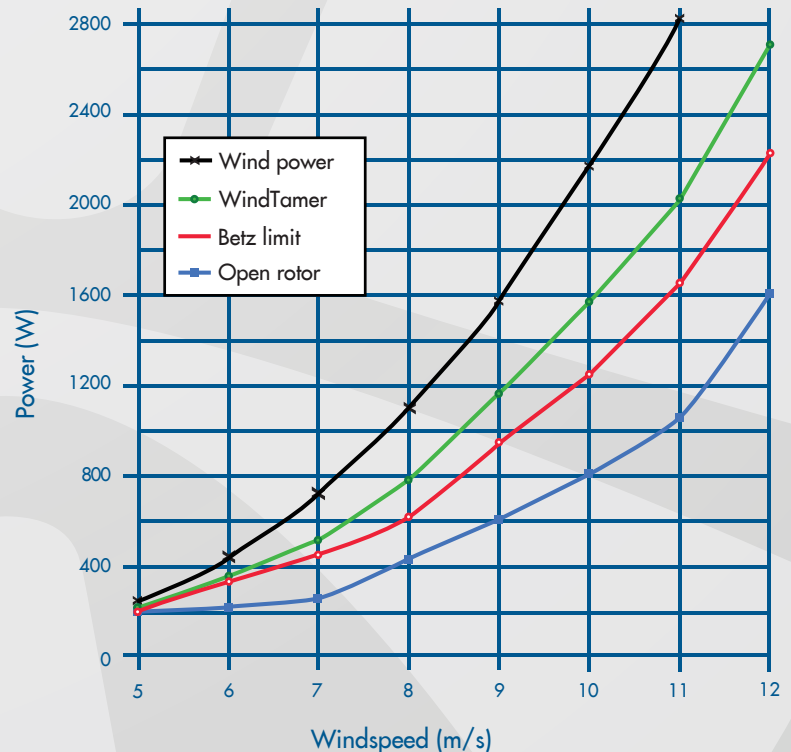
ENVIRONMENTALLY & SOCIALLY RESPONSIBLE

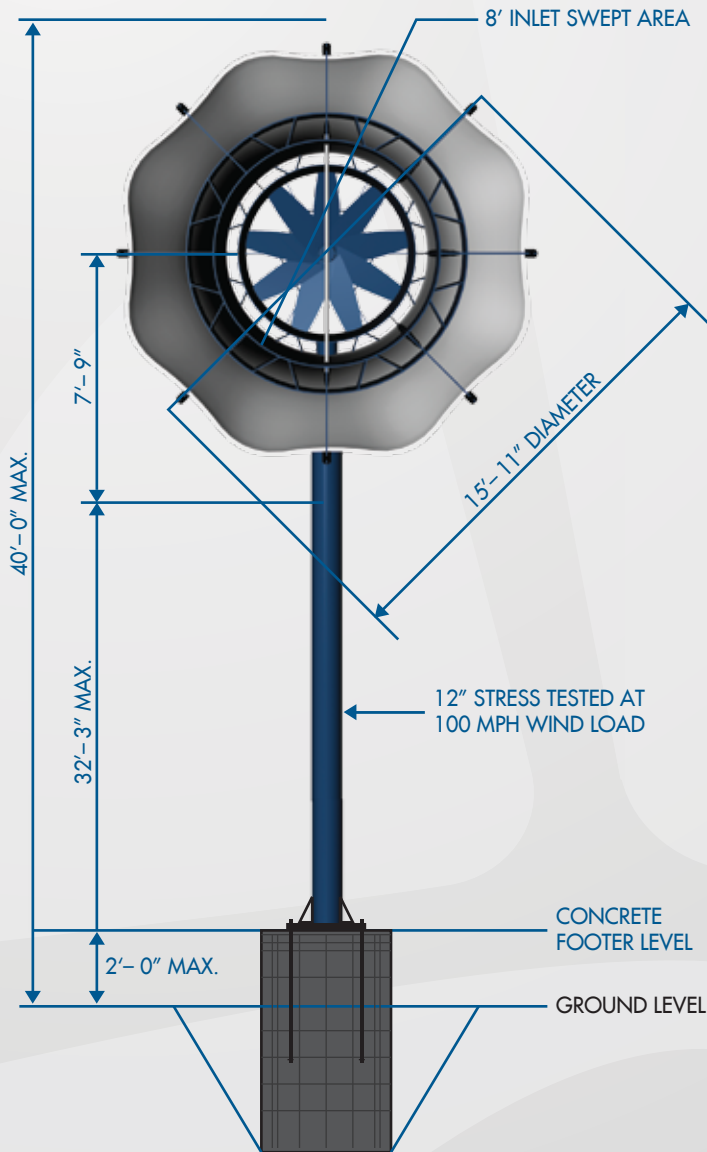
The turbines not only provide green energy, they also are silent, safe for birds, and less invasive than traditional turbines.

ABOUT ARISTA

Arista is a leading developer, manufacturer and innovator of renewable power solutions. From wind turbines, solar energy systems and custom designed power management systems, Arista provides flexible, scalable solutions. At Arista, we make power work for you.

WINDTAMER 8.0 POWER CURVE



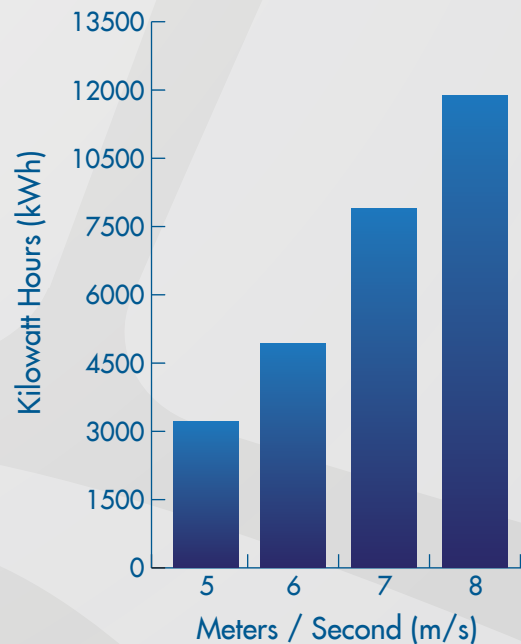


TECHNICAL DATA

Rotor Diameter: **8ft**
Swept Area: **50.2ft²**
Cut-in Speed: **2 m/s**
Shut Down Speed: **N/A**

Overall Height: **40ft**
Max Output: **4.8 kW**
Warrenty: **5 years**
Sound: **<25 dB (silent)**

ESTIMATED ANNUAL ENERGY OUTPUT (AEO) FOR WINDTAMER 8.0



COMPARISON: WINDTAMER vs OPEN ROTOR COMPETITOR (BY MONTH)

Average Wind	WindTamer			Same Price/Open Rotor		
	Production	Savings	Payback	Production	Savings	Payback
6 meters/sec	464 kWh	\$92	11.9 yrs	427 kWh	\$84	12.9 yrs
7 meters/sec	727 kWh	\$144	7.6 yrs	612 kWh	\$121	9.0 yrs
8 meters/sec	1036 kWh	\$205	5.3 yrs	733 kWh	\$145	7.5 yrs